

WOODBIDGE

Approved Locking Mailboxes



architecturalmailboxes.com
Available from Amazon & Home Depot



Curbside MailSafe

Made from durable polypropylene plastic and galvanized steel, it resists rust and UV damage while securely holding envelopes, magazines, and small packages. It features a concealed locking compartment, easy-access door with magnetic latch, internal mail clip, and a cam lock with two keys for added protection.

Product Specifications

Dimensions: 13" W x 9.5" H x 21.6" D

Weight: 10 lbs

Model: RSKB00AM

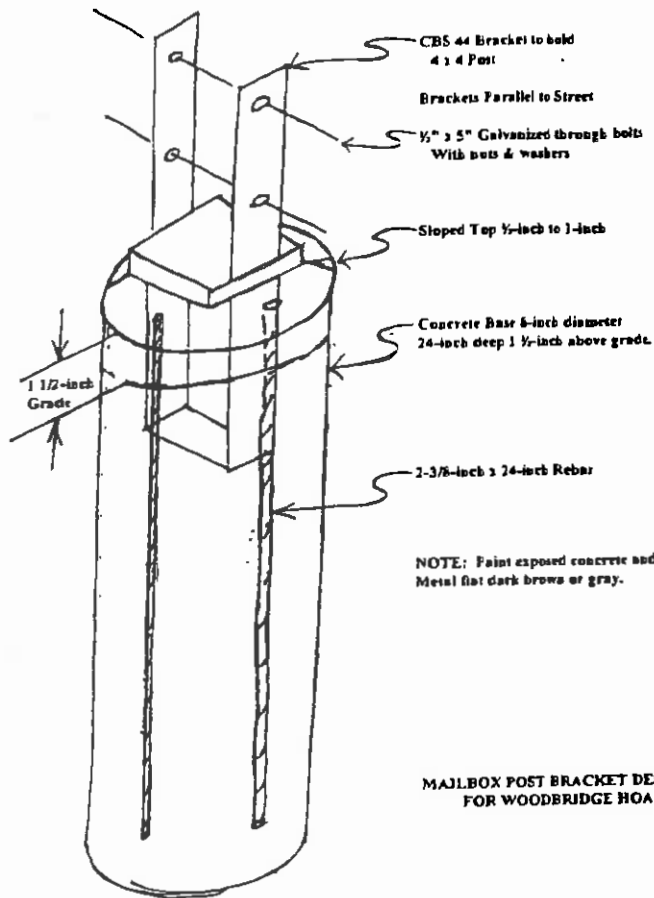
Color: Black

Please Note: All mailboxes on a shared post MUST match.

Mailbox Post Installation Guidelines

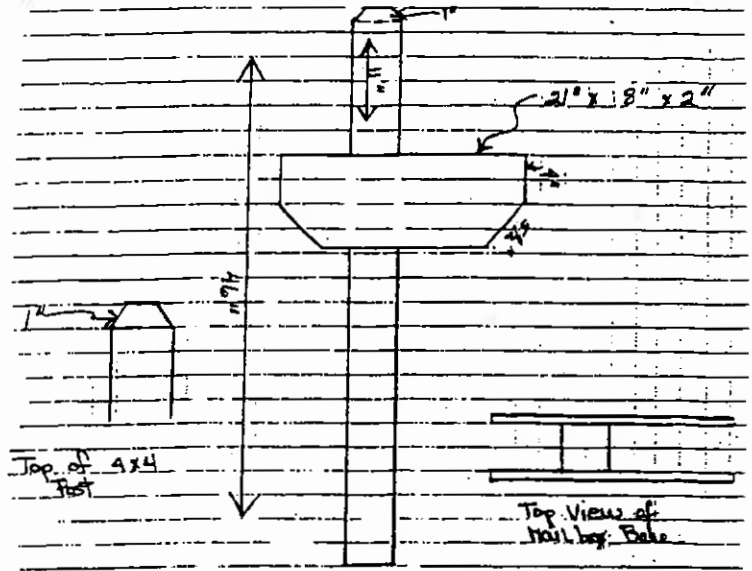
1. The homeowners must use redwood lumber.
2. The mailbox post must remain natural or a clear wood preservative can be applied.
3. Cement pads are to follow the directions shown on the attached drawing.
4. Brackets are to be placed parallel to the street.
5. Homeowners are responsible for all engineering necessary to ensure structural and functional integrity.
6. The mailbox posts are to be installed per the dimensions shown on the drawings below.

DOUBLE MAILBOX POST

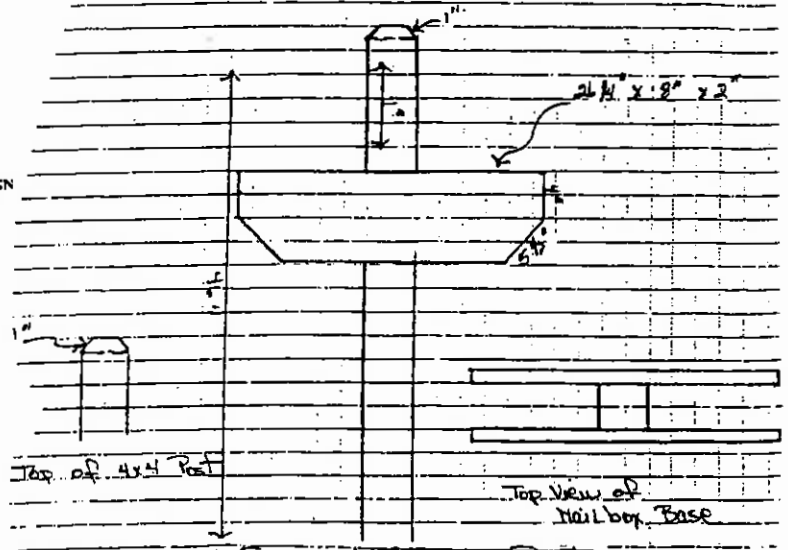


NOTE: Paint exposed concrete and Metal flat dark brown or gray.

MAILBOX POST BRACKET DESIGN FOR WOODBRIDGE HOA

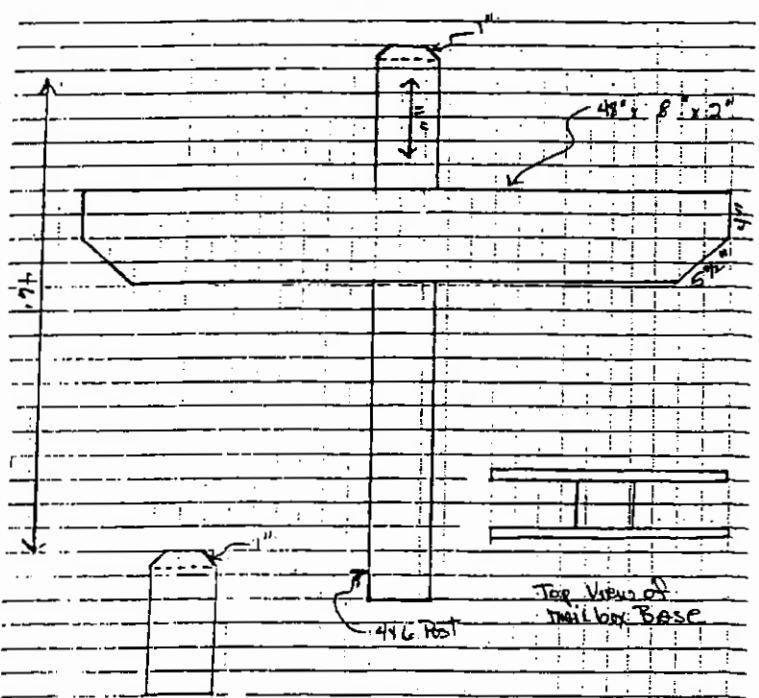
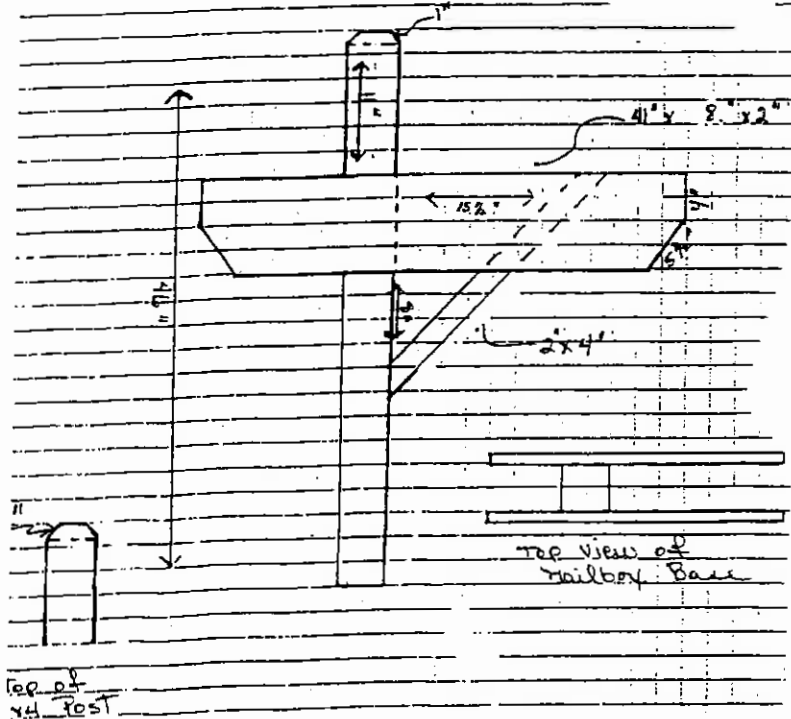


Double Mailbox Post



Four Mailbox Post

TRIPLE MAILBOX POST



Top of 4x6 Post