

PELICAN BAY
ESTATES

HOMEOWNERS
ASSOCIATION INC.

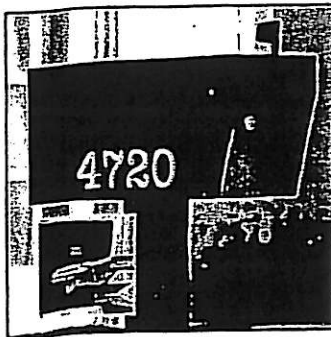
November 12, 2003

On August 26, 2003, the Pelican Bay Board of Directors approved the Mailsolutions "Pinnacle" mailbox, in black and standard size only, for their owners wishing to purchase/install a locking mailbox. In addition, on October 28, 2003, they approved the Curbside MailSafe Locking Mailbox (information on back).

The Pinnacle Mailbox™

*"When you buy a Pinnacle Mailbox, you are
buying quality for life."*

Mail theft is a growing problem throughout the United States. One of the most effective ways to prevent mail theft, is to use a locking mailbox. There are a number of locking mailboxes in the market today, but no other locking mailbox has been designed to meet the security needs of both the homeowner and mail carriers better than The Pinnacle Mailbox™.



Standard Size Dimensions:

Pinnacle
10.75" W x 11"H x 23" D
Pinnacle Plus
11"W x 11"H x 23" D

USPS APPROVED

Homeowners

When it comes to appearance, the Pinnacle has no equal. Our Pinnacle Plus models are made from aluminum plate 3/16" thick, making them *dent proof* and *baseball bat resistant*. This is 3 times thicker than most other locking mailboxes.

Three reasons that make The Pinnacle Mailbox the "best" locking mailbox are *Security*, *Durability*, and *Affordability*.

Features

Security

- Security flap keeps incoming mail secure, and you keep the keys.
- Large enough to hold several days of mail without overfilling.

Durability

- All reinforced aluminum construction makes the Pinnacle 100% Rust Free.
- Environmentally safe powder coat finish protects color for years.

Secure Online Ordering or



Call:

Toll Free @1-877-YOU-GUARD (968-4827)

Business Hours: M-F 8:00 AM-4:30 PM PST

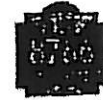
Website: www.lockingmailbox.com

Curbside MailSafe Locking Mailbox

Outdoor
Decor



Your Source for
Unique Home Accents

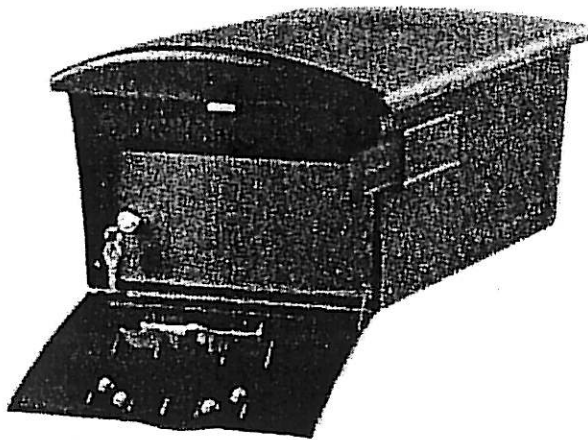


Secure Shop

1-800-433-3333

[Home](#) [Search](#) [Email List](#) [Catalog Info](#) [About Us](#) [Customer Service](#) [Ordering Information](#) [View Cart](#)

Curbside MailSafe Locking Mailbox



This mailbox is made of high quality polypropylene/galvanized steel for strength and durability. It features full service for incoming and outgoing mail with an extra wide mail slot that exceeds postal regulations. A slide out door alerts mail carrier of outgoing mail and a locking access door provides easy mail retrieval. An outgoing mail clip is located on the inside of the door and is easily accessible. Designed for mounting only on pedestal mount post (not included, see notes for installation) and will fit most standard mounting plates. The classic look of this mailbox will complement any home or driveway, and the extra security it provides is perfect for those who want to keep their correspondence secure and private.

Size: 9.5" H x 13" W x 23.5" L

Ship weight (lbs.): 14.00

Color: Black

Made of: Polypropylene, Galvanized Steel

Leaves warehouse in: Next Business Day (click for shipping info)

Hardware Included: No hardware included.

Brand or origin: Solar Group

Item Number/Name: SGM-4 - Curbside MailSafe Locking Mailbox

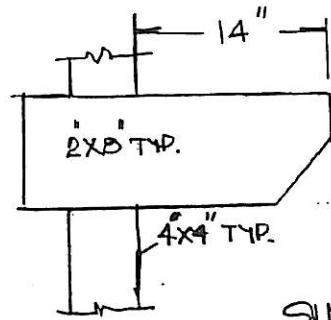
Price: \$ 90.00

Add to Cart

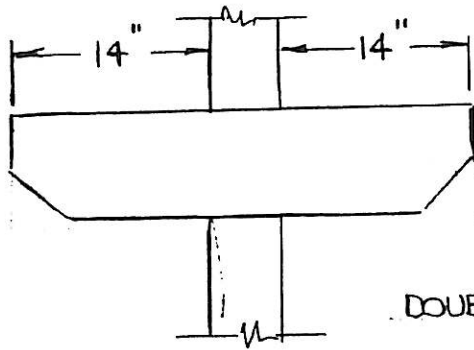
Notes (if any):

USPS approved, Post with mounting plate sold separately. Includes 2 keys.

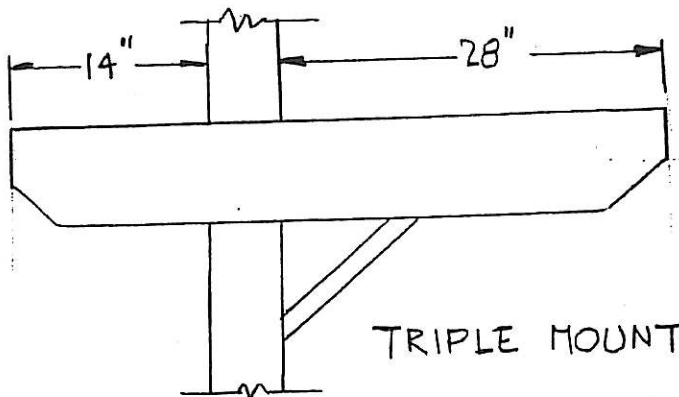
Mounting plates are normally supplied with post when purchased, if you are using an existing post and no mounting plate, your local hardware store should be able to provide complete installation.



SINGLE MOUNT



DOUBLE MOUNT



TRIPLE MOUNT

POST DETAIL FOR LOCKING MAILBOXES
 FOR REPLACEMENT POSTS ONLY

POSTS - 4x4" REDWOOD, PRESSURE TREATED OR "EX POTENTIAL"

