



Bay Isle Pointe  
Homeowners' Association, Inc.  
PMB #380  
875-A Island Drive  
Alameda, California 94502-6768  
(510) 769-9918

February 5, 2003

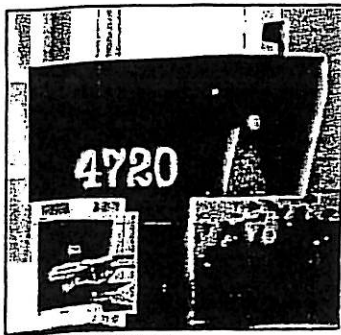
On January 9, 2003, the Bay Isle Pointe of Directors approved the Mailsolutions "Pinnacle" mailbox, in black and standard size only, for their owners wishing to purchase/install a locking mailbox.

## The Pinnacle Mailbox™

*"When you buy a Pinnacle Mailbox, you are  
buying quality for life."*

---

Mail theft is a growing problem throughout the United States. One of the most effective ways to prevent mail theft, is to use a locking mailbox. There are a number of locking mailboxes in the market today, but no other locking mailbox has been designed to meet the security needs of both the homeowner and mail carriers better than The Pinnacle Mailbox™.



### ■ Standard Size Dimensions:

Pinnacle  
10.75" W x 11"H x 23" D  
Pinnacle Plus  
11"W x 11"H x 23" D

# USPS APPROVED

## Homeowners

When it comes to appearance, the Pinnacle has no equal. Our Pinnacle Plus models are made from aluminum plate 3/16" thick, making them *dent proof* and *baseball bat resistant*. This is 3 times thicker than most other locking mailboxes.

Three reasons that make The Pinnacle Mailbox the "best" locking mailbox are *Security, Durability, and Affordability*.

### Features

#### Security

- Security flap keeps incoming mail secure, and you keep the keys.
- Large enough to hold several days of mail without overfilling.

#### Durability

- All reinforced aluminum construction makes the **Pinnacle 100% Rust Free**.
- Environmentally safe powder coat finish protects color for years.

Secure Online Ordering or

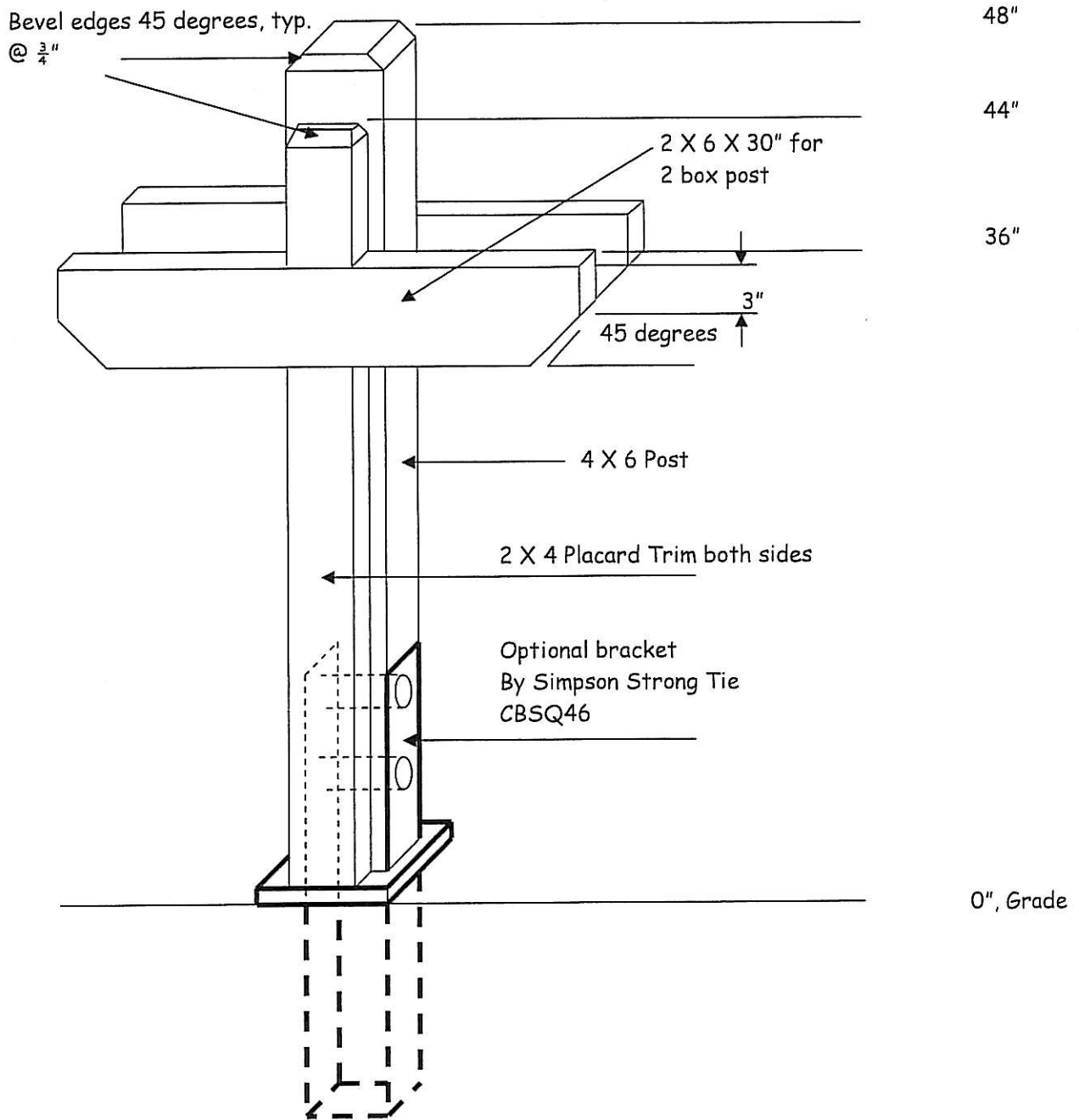


Call:

Toll Free @1-877-YOU-GUARD (968-4827)  
Business Hours: M-F 8:00 AM-4:30 PM PST  
Website: [www.lockingmailbox.com](http://www.lockingmailbox.com)

Exhibit "C"

**Mailbox Post Construction Detail Sheet**



Material to be rough, Redwood.  
Fasteners to be Hot Dipped Galvanized  
Optional Bracket to be painted  
Rustoleum, Flat Black

Bay Isle Pointe HOA  
Mail Box Post Specifications  
Architectural Guidelines, 2005